

With a life expectancy of, say 100 years or so, why not make certain your fire hydrants are installed correctly the first time. How many times after installation is a hydrant either too high or too low?

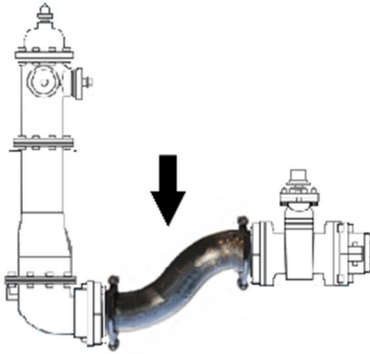


**Too High**

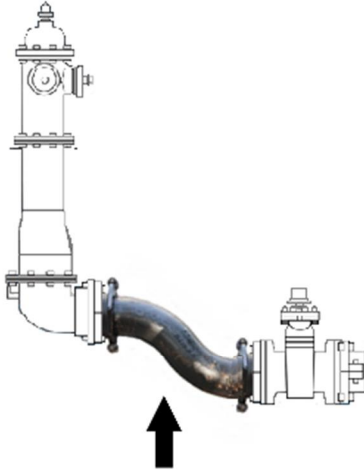


**Too Low**

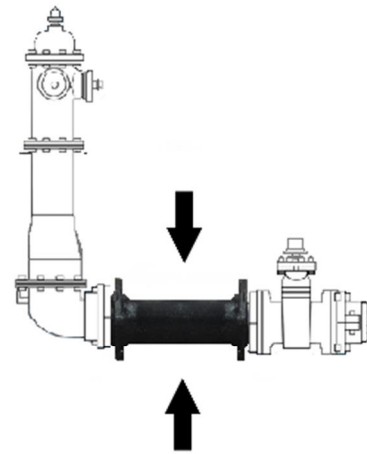
# Gradelok®!



With Gradelok® you are not limited to 6 inch increments. Gradelok® allows you to lower the hydrant 1,2,3 - up to 24 inches.

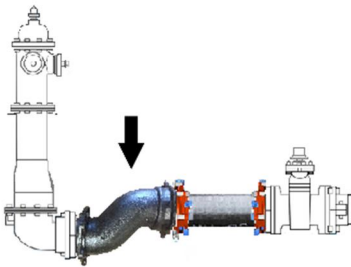


With Gradelok® you are not limited to 6 inch increments. Gradelok® allows you to raise the hydrant 1,2,3 - up to 24 inches.

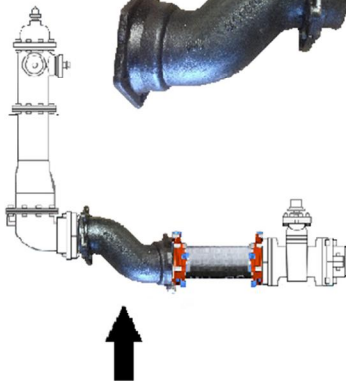


With Gradelok® you can install laterally allowing for future adjustments.

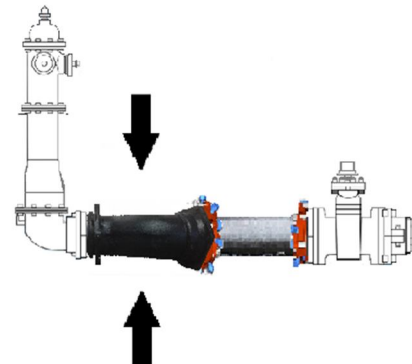
# Gradelok®!



With Gradelok® you are not limited to 6 inch increments. Gradelok® allows you to lower the hydrant 1,2,3 - up to 24 inches.



With Gradelok® you are not limited to 6 inch increments. Gradelok® allows you to raise the hydrant 1,2,3 - up to 24 inches.



With Gradelok® you can install laterally allowing for future adjustments.

